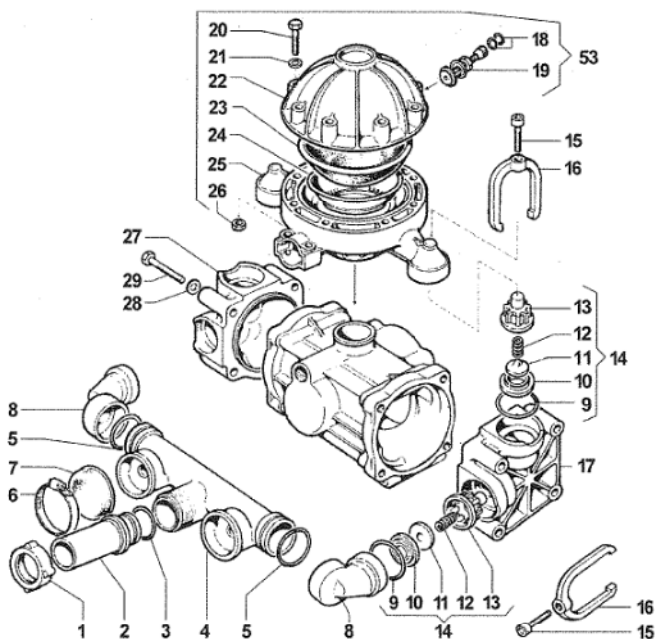




P48 / P48AP

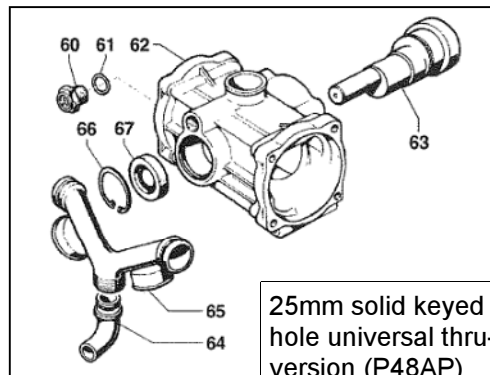
P48 / P48AP



Optional accessories:

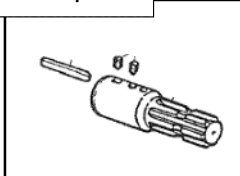
For pressure regulator, refer to drawing #1204.0195.00 on page 56.

For gearbox, refer to drawing #5005.0216.00 on page 45.

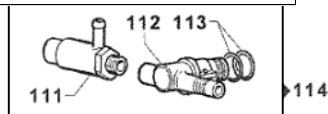


25mm solid keyed to 6 hole universal thru-shaft version (P48AP)

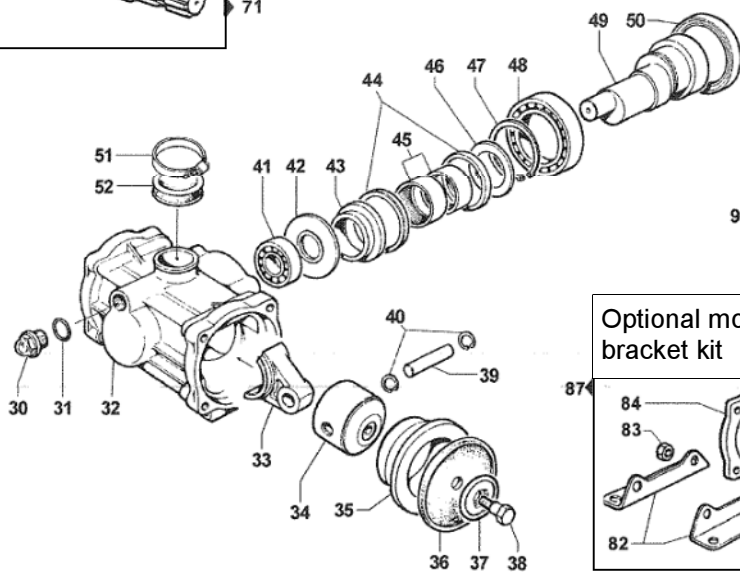
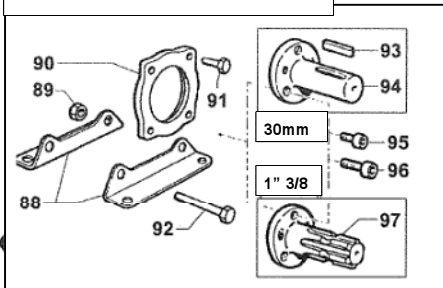
Optional 1" 3/8 shaft adapter



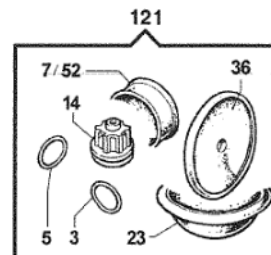
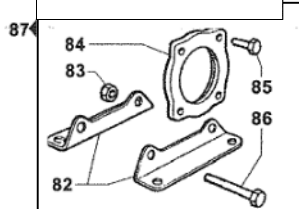
Optional safety valve kit



Optional shaft kits



Optional mounting bracket kit



PRICES SUBJECT TO CHANGE WITHOUT NOTICE.

#	PART #	DESCRIPTION	NOTE	QTY
1	1200.0009.00	WING NUT	M36x2	1
2	2800.0010.00	SUCTION HOSE TAIL	19x26	1
3	1210.0096.00	O-RING	3,53x21,82	1
4	3212.0014.00	SUCTION HOSE		1
5	1210.0045.00	O-RING (SILICON)	3,53x28,17	2
6	1003.0036.00	HOSE CLAMP	40-60	2
7	1800.0017.00	DIAPHRAGM		2
8	2804.0009.00	ELBOW SUCTION COUPLING		2
9	1210.0027.00	O-RING	5,34x37,47	4
10	3009.0015.00	SUCT./DELIV. VALVE SEAT		4
11	3604.0009.00	SUCTION/DELIVERY VALVE		4
12	1802.0015.00	SPRING (WIRE 0,8)	e11x17	4
13	1205.0004.00	SUCT./DELIV. VALVE CAGE		4
14	1220.0004.00	SUCT./DELIV. VALVE ASS.Y KIT		4
15	3609.0022.00	SCREW	M10x25	4
16	0418.0027.00	U-BOLT		4
17	3218.0068.00	PUMP MANIFOLD		1
18	1209.0033.00	GASKET	14x7,5x2	2
19	3610.0003.00	AIR VALVE		1
20	3607.0056.00	HEXAGONAL SCREW	M8x60	8
21	2811.0016.00	WASHER	8,4x17x1,6	8
22	0003.0016.00	PRESSURE ACCUMULATOR		1
23	1800.0035.00	DIAPHRAGM		1
24	0460.0007.00	DIAPHRAGM SUPPORT CAP		1
25	0002.0020.00	PRESSURE ACCUMULATOR		1
26	0604.0107.00	NUT	M8	8
27	3218.0066.00	PUMP MANIFOLD		1
28	2811.0098.00	WASHER	10,5x18x2	8
29	3607.0223.00	HEXAGONAL SCREW	M10x65	8
30	3201.0027.00	OIL VIEWER	1/2" GAS	1
31	1210.0048.00	O-RING	2,62x20,24	1
32	0403.0023.00	PUMP CRANKCASE		1
33	0205.0018.00	CONNECTING ROD ASS.Y		1
34	2409.0015.00	PISTON	70	2
35	0400.0021.00	PISTON SLEEVE	70x17,75	2
36	1800.0002.00	DIAPHRAGM	BUNA	2
	1800.0059.00	DIAPHRAGM	DESMOPAN	2
	1800.0032.00	DIAPHRAGM	VITON	2
37	0602.0010.00	DISC		2
38	3605.0005.00	DIAPHRAGM HOLDER SCREW	M12x1,5	2
39	3011.0001.00	CONNECTING ROD PIN	15x53	2
40	3020.0001.00	RETAINING CLIP	15	4
41	0438.0023.00	BALL BEARING	25x52x20,6	1
42	2813.0017.00	CONNECTING ROD WASHER	25x63x3,8	1
43	0601.0211.00	SPACER		1
44	0010.0008.00	CONNECTING ROD RING	68x55x6	2
45	0437.0027.00	ROLLER BEARING	40x47x20	2

#	PART #	DESCRIPTION	NOTE	QTY
46	2813.0019.00	CONNECTING ROD WASHER	63x40x2,8	1
47	3019.0001.00	OUTER SEEGER	55	1
48	0438.0001.00	BALL BEARING	55x90x18	1
49	0001.0017.00	NON-THROUGHSHAFT		1
50	0019.0001.00	OIL SEAL	68x90x10	1
51	1003.0036.00	HOSE CLAMP	40-60	1
52	1800.0017.00	DIAPHRAGM		1
53	0102.0004.00	PULSATION DAMPNER		1
54	1202.0060.00	DELIVERY HOOK		1
56	1210.0002.00	O-RING	2,62x20,7	2
57	2803.0027.00	ELBOW DELIVERY COUPLING		1

#	PART #	DESCRIPTION	NOTE	QTY
60	3201.0008.00	OIL DIPSTICK	1/2" GAS	1
61	1210.0046.00	O-RING	2,62x17,13	1
62	0403.0057.00	PUMP CRANKCASE		1
63	0001.0049.00	THROUGHSHAFT	25mm-6 hole	1
64	2801.0008.00	SUCTION ELBOW TAIL	19x26	1
65	3212.0015.00	SUCTION HOSE		1
66	3020.0009.00	RETAINING CLIP	47	1
67	0019.0018.00	OIL SEAL	25x47x1	1

#	PART #	DESCRIPTION	NOTE	QTY
71	5003.0018.00	CARDAN KIT	25-1"3/8M	1

#	PART #	DESCRIPTION	NOTE	QTY
87	5011.0035.00	FEET KIT FOR PUMP		1

#	PART #	DESCRIPTION	NOTE	QTY
98	5003.0003.00	1"3/8 6 SPLINE PTO SHAFT KIT	1"3/8	1
	5003.0004.00	30mm SOLID KEYED SHAFT KIT	30MM	1

#	PART #	DESCRIPTION	NOTE	QTY
121	5026.0004.00	COMPLETE REBUILD KIT		1